

Tools Required

R M5 Allen Head

Torque Values

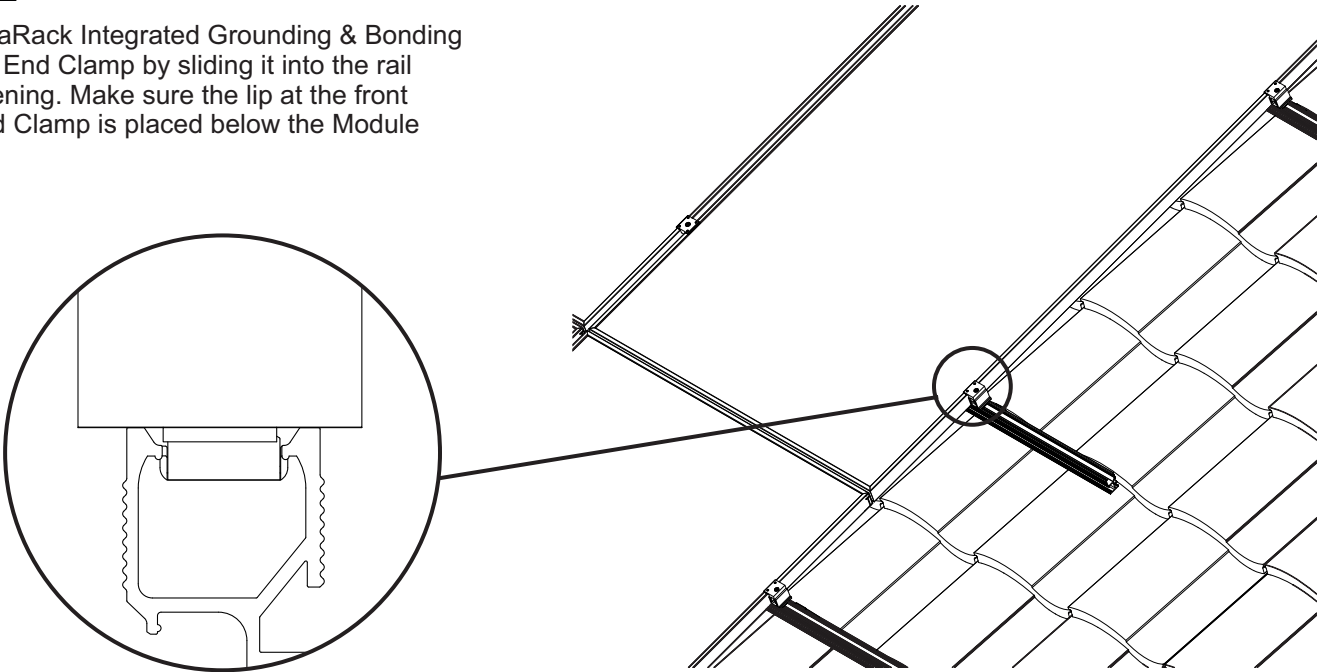
R Universal End Clamp (M5 Allen Head): 14 ft lb

Step by Step Installation Guide for Universal End Clamp

The SolaRack 28mm - 46mm Universal End Clamp is designed to secure PV Modules to SolaRack MCR Rails. This system has been listed by ETL and conforms to UL STD 2703 for Grounding & Bonding & UL STD 1703 Class A Type 1&2. Please follow the steps below to achieve a proper installation.

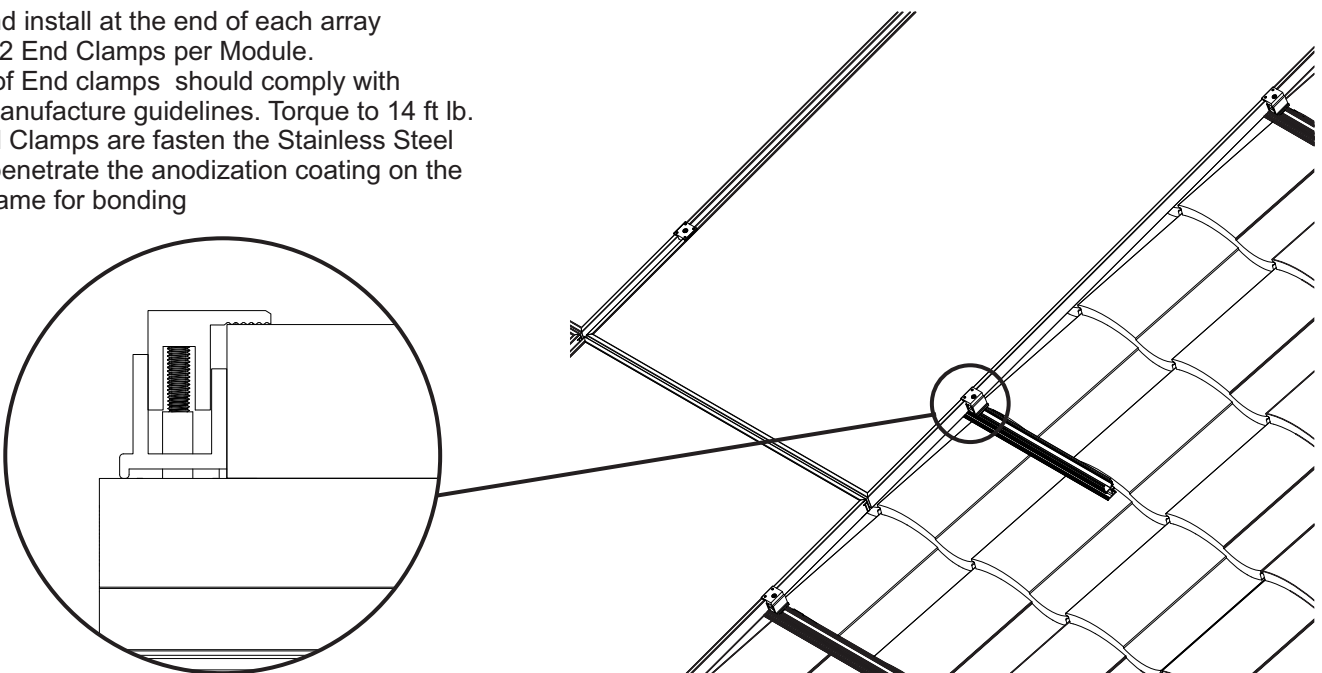
Step 1

Insert SolaRack Integrated Grounding & Bonding Universal End Clamp by sliding it into the rail upper opening. Make sure the lip at the front of the End Clamp is placed below the Module frame.



Step 2

Fasten and install at the end of each array
 Minimum 2 End Clamps per Module.
 Location of End clamps should comply with module manufacture guidelines. Torque to 14 ft lb.
 Once End Clamps are fasten the Stainless Steel Pins will penetrate the anodization coating on the module frame for bonding



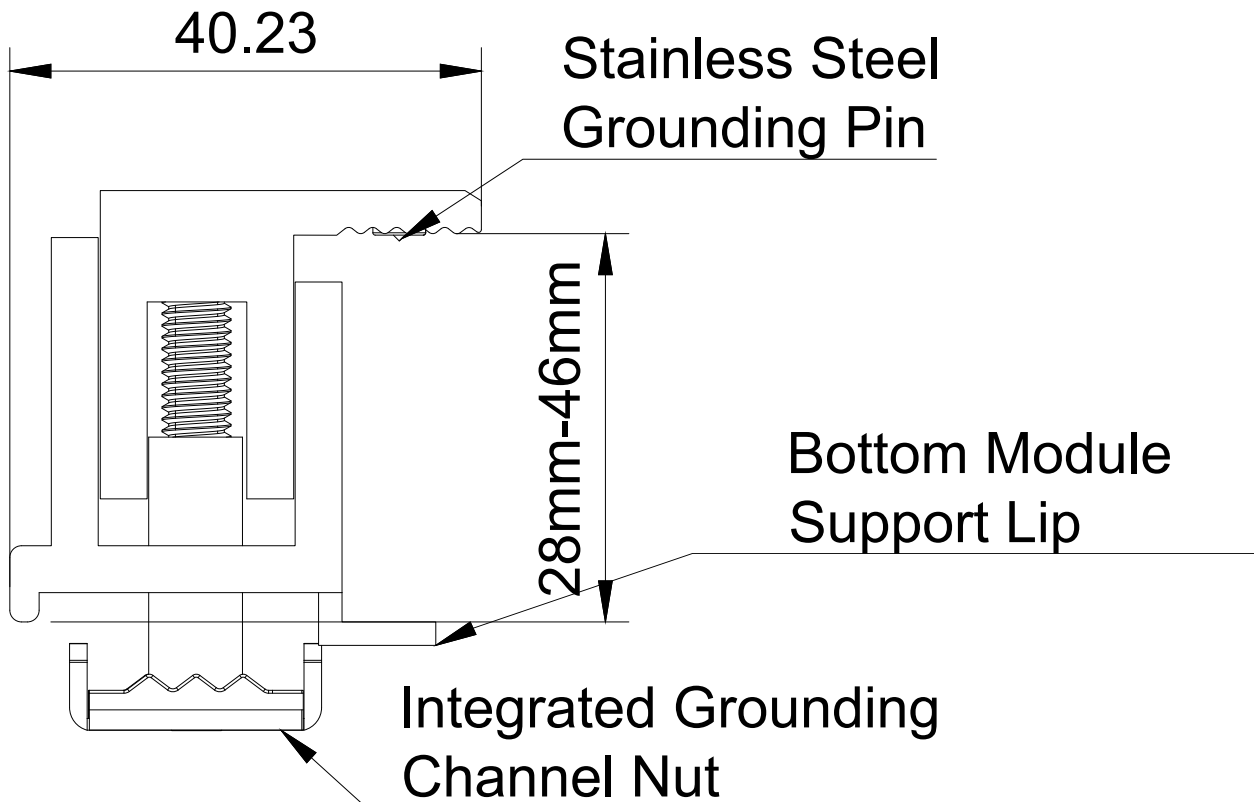
Markings

Markings are located on the Integrated Grounding Channel Nut. Channel Nut is stamped with both UI2703 and the SolaRack Name.

Ratings

Max Overcurrent Protective Device (OCPD) Rating: 20A
Installer is responsible for and shall provide an appropriate method of direct-to-earth grounding according to the latest edition of the National Electrical Code, including NEC 250: Grounding and Bonding, and NEC 690: Solar Photovoltaic Systems.

If loose components, loose fasteners or corrosion are found during periodic inspection, replace affected components immediately.



Qualified Solar PV Frames

Manufacturer	Model Numbers
Systems are allowed to mount module frame/ profile height: 28mm - 46mm	
Amerisolar	Modules with 35, 40 and 50mm frames and model identifier ASbYxxxZ; where "b" can be 5 or 6; "Y" can be M, P, M27, P27, M30, or P30; and "Z" can be blank, W or WB
Astronergy	Modules with 35, 40, and 45mm frames and model identifier aaSM66yyPzz-xxx; where "aa" can be CH or A; "yy" can be either 10 or 12; and "zz" can be blank, HV,
Auxin	Modules with 40mm frames and model identifier AXN6y6zAxxx; where "y" can be M or P; "z" can be 08,09, 10, 11, or 12; and "A" can be F or T
Axitec	Modules with 35 or 40mm frames and model identifier AC-xxxY/aa-ZZ; where "Y" is M or P; "aa" is 125 or 156; and "ZZ" is 54S, 60S or 72S.
Boviet	Modules with 40mm frames and model identifier BVM66aaYY-xxx; where "aa" can be 9, 10 or 12; and "YY" is M or P.
Canadian Solar	Modules with 35 and 40mm frames and model identifier CSbY-xxxZ; where "b" can be 1, 3 or 6; "Y" can be H, K, P, U, V, or X; and "Z" can be M, P, MS, PX, M-SD, P-AG, P-SD, MB-AG, PB-AG, MS-AG, or MS-SD.
CSUN	Modules with 35 and 40mm frames and model identifier YYxxx-zzAbb; where "YY" is CSUN or SST; "zz" is blank, 60, or 72; "A" is blank, P or M; and "bb" is blank, BB, BW, or ROOF.
Certainteed	Modules with 35 and 40mm frames and model identifier CTxxxYZZ-AA; where "Y" can be M or P; "ZZ" can be 00,01, 10, or 11; and "AA" can be 01, 02 or 03.
EcoSolargy	Modules with 35 & 40mm frames and model identifier ECOxxxYzza-bbD; where "Y" can be A, H, S, or T; "zz" can be 125 or 156; "A" can be M or P; "bb" can be 60 or 72; and "D" can be blank or B.
ET Solar	Modules with 35, 40, or 50mm frames and model identifier ET-Y6ZZxxxAA; where "Y" is P, L, or M; "ZZ" is 60 or 72; and "AA" is WB, WW, BB, WBG, WWG, WBAC, WBCO, WWCO, WWBCO or BBAC.
Hanwha Solar	Modules with 40, 45, or 50mm frames and model identifier HSLaaP6-YY-1-xxxZ; where "aa" is either 60 or 72; "YY" is PA or PB; and "Z" is blank or B.
Hanwha Q CELLS	Modules with 32, 35, 40, and 42mm frames and model identifier aaYY-ZZ-xxx; where "aa" can be Q. or B.; "YY" can be PLUS, PRO, PEAK, LINE PRO, LINE PLUS, or PEAK DUO; and "ZZ" can be G3, G3.1,G4, G4.1, L-G2, L-G2.3, L-G3, L-G3.1, L-G3y, L-G4, L-G4.2, L-G4y, LG4.2/TAA, L-G5.2, L-G5.2/H,LG5.3, BFR-G3, BLK-G3, BFR-G3.1, BLK-G3.1, BFR-G4, BFR-G4.1, BFR G4.3, BLK-G4.1, G4/SC,G4.1/SC, G4.1/TAA, G4.1/MAX, BFR G4.1/TAA, BFR G4.1/MAX, BLK G4.1/TAA, BLK G4.1/SC, ECG4.4, G5, BLK-G5, or BLK-G5/SC.
Heliene	Modules with 40mm frames and model identifier YYZZxxx; where "YY" is 36, 60, 72, or 96; and "ZZ" is M, P, or MBLK.
Hyundai	Modules with 35, 40mm frames and model identifier HiS-YxxxZZ; where "Y" can be M or S; and "ZZ" can be KI, MI, MF, MG, SG, RI, RG(BF), RG(BK), TI, or TG
Iteck	Modules with 40mm frames and model identifier IT-xxx-YY; where "YY" is blank, HE, or SE, or Se72.

Manufacturer	Model Numbers
Systems are allowed to mount module frame/ profile height: 28mm - 46mm	
JA Solar	Modules with 35, 40 and 45mm frames and model identifier JAyyzz-bb-xxx/aa; where “yy” can be M, P,M6 or P6; “zz” can be blank, (K), (L), (R), (V), (BK), (FA), (TG), (FA)(R), (L)(BK), (L)(TG), (R)(BK), (R)(TG), (V)(BK), (BK)(TG), or (L)(BK)(TG); “bb” can be 48, 60, 72, 60S01, 60S02, 60S03, 72S
Jinko	Modules with 35 and 40mm frames and model identifier JKMYxxxZZ-aa; where “Y” can either be blank or S; “ZZ” can be P, PP, M; and “aa” can be blank, 60, 60B, 60H, 60-J4, 60B-J4, 60B-EP, 60(Plus), 60-V, 60-MX, 72, 72-V, 72H-V, 72L-V, 72-MX. Frameless modules with model identifier JKMxxxPP-DV.
Kyocera	Modules with 46mm frames and model identifier KYxxxZZ-AA; where “Y” is D or U; “ZZ” is blank, GX, orSX; and “AA” is LPU, LFU, UPU, LPS, LPB, LFB, LFBS, LFB2, LPB2, 3AC, 3BC, 3FC, 4AC, 4BC, 4FC, 4UC, 5AC, 5BC, 5FC, 5UC, 6BC, 6FC, 8BC, 6MCA, or 6MPA
LG	Modules with 35, 40, and 46mm frames and model identifier LGxxxYaZ-bb; where “Y” is A, E, N, Q, S; “a” is 1 or 2; “Z” is C, K, T, or W; and “bb” is A3, A5, B3, G3, G4, or K4.
LONGI	Modules with 40 and 45mm frames and model identifier LR6-YYZZ-xxxM; where “YY” can be 60 or 72; and “ZZ” can be BK, BP, HV, PB, PE, or PH.
Mission Solar	Modules with 40mm frames and model identifier MSExxxZZaa; where “ZZ” can be MM, SE, SO or SQ; and “aa” can be 1J, 4J, 4S, 5K, 5T, 6J, 6S, or 6W.
Mitsubishi	Modules with 46mm frames and model identifier PV-MYYxxxZZ; where “YY” is LE or JE; and “ZZ” is either HD, HD2, or FB.
Panasonic	Modules with 35 and 40mm frames and model identifier VBHNxxxYYzzA; where “YY” can be either SA or KA; “zz” can be either 01, 02, 03, 04, 06, 06B, 11, 11B, 15, 15B, 16, 16B, 17, or 18; and “A” can be blank, E or G
Peimar	Modules with 40mm frames and model identifier SGxxxYzz; where “Y” can be M or P; and “zz” can be blank, (BF), or (FB).
Phono Solar	Modules with 35, 40, or 45mm frames and model identifier PSxxxY-ZZ/A; where “Y” is M or P; “ZZ” is 20 or 24; and “A” is F, T or U.
REC Soalr	Modules with 30, 38 and 45mm frames and model identifier RECxxxYYZZ; where “YY” can be M, NP, PE, TP, TP2, TP2M, TP 2S, TP 2SM, or XP; and “ZZ” can be blank, BLK, BLK2, SLV, or 72.
Renesola	Modules with 35, 40mm frames and model identifier JCxxxY-ZZ; where “Y” is F, M or S; and “ZZ” is Ab, Ab-b, Abh, Abh-b, Abv, Abv-b, Bb, Bb-b, Bbh, Bbh-b, Bbv, Bbv-b, Db, or Db-b
Renogy	Modules with 40 frames and model identifier RNG-xxxY; where “Y” is D or P.
S-Energy	Modules with 40mm frames and model identifier SNxxxY-ZZ; where “Y” is M or P; and “ZZ” is 10, or 15.
Silfab	Modules with 38mm frames and model identifier SYY-Z-xxx; where “YY” is SA or LA; SG or LG; and “Z” is M, P, or X.

Manufacturer	Model Numbers
Systems are allowed to mount module frame/ profile height: 28mm - 46mm	
Solaria	Modules with 40mm frames and model identifier PowerXT xxxY-ZZ; where "Y" can be R or C; and "ZZ" can be AC, BD, BX, BY, PD, PX, PZ, WX or WZ.
SolarWorld	SolarWorld Sunmodule Plus, Protect, Bisun, XL, Bisun XL, may be followed by mono, poly, duo, black, bk, or clear; modules with 31, 33 or 46mm frames and model identifier SW-xxx
Suniva	Modules with 35, 38, 40, 46, or 50mm frames and model identifiers OPTxxx-AA-B-YYY-Z or MVXxxx-AA-B-YYY-Z; where "AA" is either 60 or 72; "B" is either 4 or 5; "YYY" is either 100,101,700,1B0, or 1B1; and "Z" is blank or B
SunPower	Modules with model identifier Ab-xxx-YY and standard (G3) or InvisiMount (G5) 46mm frame; where "A" is either E, P or X; "b" can be 17, 18, 19, 20, 21, or 22; and "YY" can be blank, NE, BLK, COM, C-AC, D-AC, BLK-C-AC, or BLK-D-AC
Sunspark	Modules with 40mm frames and model identifier SYY-xxZ; where "YY" can be MX or ST; and "Z" can be P or W.
Suntech	Vd, Vem, Wdb, Wde, and Wd series modules with 35, 40mm frames.
Telesun	Modules with 35 and 40mm frames and model identifier TP6yyZxxx-A; where "yy" can be 60, 72, H60 or H72; "Z" can be M, or P; and "A" can be blank, B, or T.
Trina	Modules with 35, 40 or 46mm frames and model identifier TSM-xxxYYZZ; where "YY" is Pa05, PC05, PD05, PA14, PC14, PD14, PE14, or DD05; and "ZZ" is blank, A, A.05, A.08, A.10, A.18, .05, .08, .10, .18, .08D, .18D, 0.82, A.082(II), .002, .00S, 05S, 08S, A(II), A.08(II), A.05(II), A.10(II), or A.18(II).
Yingli	Panda, YGE, and YGE-U series modules with 35, 40mm frames.