

STRUCTURAL CERTIFICATION & SPAN TABLES FOR STANDARD (STD) MOUNTING SYSTEMS

for State of Arizona

Prepared for: SolaRack

Prepared By:



November 12, 2018

The SolaRack logo is located in the bottom right corner of the page. It features the word "SOLARACK" in a bold, black, sans-serif font. The letter "R" is significantly larger and stylized, with an orange-to-black gradient and a white outline, making it the focal point of the logo.

SolaRack

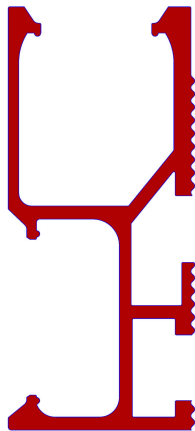
1103 Lawrence Dr., Unit A
Newbury Park, CA 91320

RE: Sunstrong Certification & Span Tables for SolaRack STD Mounting Systems

The scope of this report focuses on providing a structural verification of aluminum extruded railing intended for mounting solar panels atop of rooftops for the STD rails manufactured by SolaRack.

The structural performance of the railing has been verified to be in compliance with the requirements of the 2012 International Building Code and ASCE 7-10 under prescribed wind and snow loading in the state of Arizona. The construction and application of the aluminum railing shall be accordance with the installation guide for the solar mounting solutions provided by SolaRack. Structural verification of the roof frame members and the solar panels are excluded and beyond the scope of this report.

Figure 1:



Rail Section Sketch

Design Approach

The railing section as illustrated in Figure 1: was modeled as a simply supported beam undergoing wind loads applied as a point load from the mid-clamps at the panel joints.

The resulting applied bending moments was then checked with the allowable bending moment of the aluminum rail section based on the equation below:

$$F_a = 0.6 F_y = 0.6 \times 35 \text{ ksi} = 21 \text{ ksi}$$

- $F_y = 35 \text{ ksi}$ (6005 T-5 Aluminum)

The applied bending stress from the worst case loading condition is based on the following equation, where the geometric properties were derived from engineering software (See Figure 2):

$$f = M \div S = M \times (I \div c)$$

- M is the moment based on the wind loads
- S is the section modulus of rail section

Figure 2:

Geometric Properties

Area	0.601 in ²
Ix	0.392 in ⁴
Ixy	0.000 in ⁴
Iy	0.090 in ⁴
Sx+	0.294 in ³
Sx-	0.326 in ³
Sy+	0.189 in ³
Sy-	0.139 in ³
Xc	13.776 in
Yc	1.205 in
rx	0.808 in
ry	0.386 in

Principal Properties

I1	0.392 in ⁴
I2	0.090 in ⁴
S1+	0.294 in ³
S1-	0.326 in ³
S2+	0.189 in ³
S2-	0.139 in ³
r1	0.808 in
r2	0.386 in
α	-0.009 deg

Polar Properties

Ip	0.482 in ⁴
rp	0.896 in

Overall Properties

Depth	2.539 in
Perimeter	14.090 in
Weight	0.002 K/ft
Width	1.119 in

Plastic Properties

Xpna	13.850 in
Ypna	1.299 in
Zx	0.411 in ³
Zy	0.195 in ³

Geometric Properties Output from ShapeBuilder Software (IES)

Worst case loading conditions were based on the following two load combinations per section 2.4 of ASCE 7-10:

1. $D + 0.6W$
2. $D + 0.75L + 0.4W + 0.75S (L=0)$

Where D is the dead load of the panels and racking equipment, W is the wind uplift loads at the anchors and S represents the ground snow load value. The tabulated results of the maximum rail span according to the worst case loading conditions are provided in this report (See Figure 3).

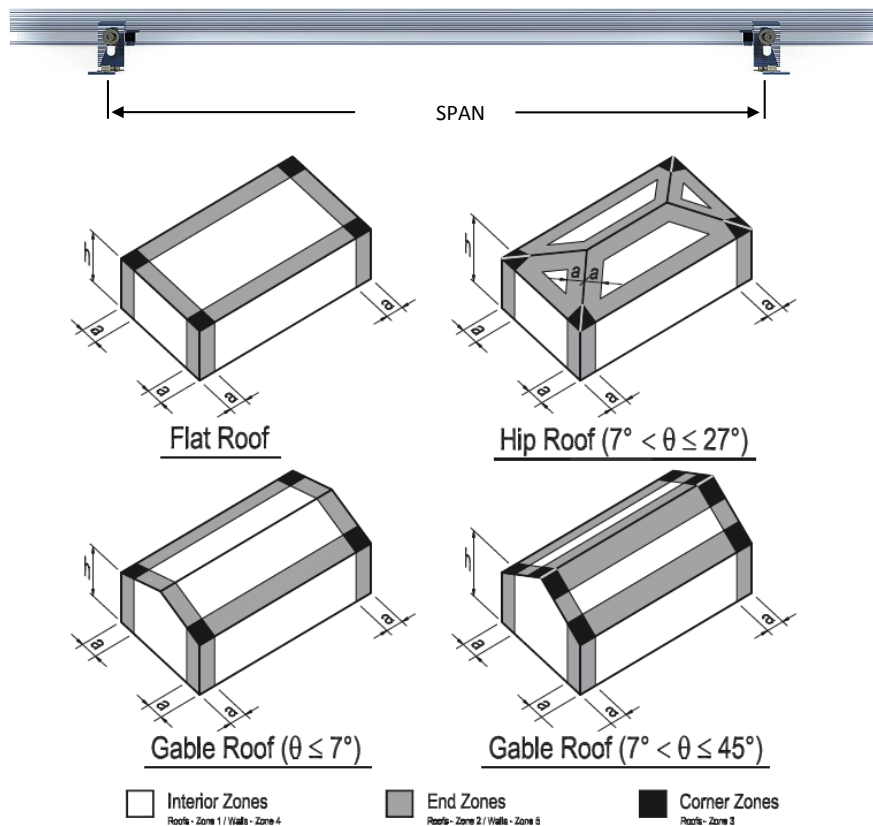
Design Criteria

The following parameters were considered in determining the values of the allowable span charts of the railing:

- Maximum Building Height Considered = 30 ft
- Exposure Categories Considered: B & C
- Wind Pressure Based on Section 30.4 (Method 1)
- Gust Factor, $G = 0.85$
- Topography Factor, $K_{zt} = 1.0$
- Directionality Factor, $K_d = 0.85$
- Importance Factor, $I = 1.0$
- Gable & Flat Roofs Type Considered
- Zone 2 Pressures Only Considered
- Minimum 2 Rails Per Panel
- Maximum Cantilever of Railing from Anchor = 12 inches
- Tilt Angles Considered: 0 to 30 degrees
- Performance Not Limited to Deflection
- Adequacy of Attachments Based on Evaluation Report By Others

Figure 3:

ZONE 2 (EXPOSURE B)						ZONE 2 (EXPOSURE C)					
LOAD		RAIL SPAN				LOAD		RAIL SPAN			
Snow (PSF)	Wind (MPH)	2'	4'	6'	8'	Snow (PSF)	Wind (MPH)	2'	4'	6'	8'
0	110	[Shaded]				0	110	[Shaded]			
	120										
	130										
	140										
5	110	[Shaded]				5	110	[Shaded]			
	110										
	120										
	130										
10	110	[Shaded]				10	110	[Shaded]			
	120										
	130										
	140										
15	110	[Shaded]				15	110	[Shaded]			
	120										
	130										
	140										



Design Code References

The following engineering references were considered in determining the values of the wind load conditions and material properties of the aluminum railing:

- IBC 2012
- ASCE 7-10 (Wind & Snow Loading)
- Aluminum Design: Aluminum Design Manual 2010

The structural verification and installation of the STD rails shall be subject to the following qualification and conditions.

- There shall be a minimum of 2 rails provided per solar panel.
- Panels shall be considered slippery surface for accumulation of snow.
- All other components such as clamps and splices shall be installed per installation manual
- The deflection of the railing has not been controlled in the design. If deflection has to be limited, then spacing shall be reduced as advised by a practicing structural engineer.
- Building is not a special occupancy structure such as a public school, public safety building or assembly building.
- The installation of the framing shall conform to relevant Building Codes, Manufacturer's specifications and good building practice.
- The cantilever span of the railing shall not exceed 12 inches.
- Attachment of lag screws shall be installed per the requirements of 2012 National Design (NDS).

-
- Structural verification of the existing roof frame members and solar panels are excluded in this report.
 - Proper attachment to roof frame member shall be verified a qualified inspector or building official.
 - Dissimilar metals shall be separated with a suitable inert material to prevent galvanic corrosion.
 - The installation and fixings shall be periodically inspected and maintained.

Please feel free to contact us with any questions or concerns regarding the information provided in this report.

Respectfully Submitted,



Dayanand Bettadapura, P.E.
Lead Engineer



EXP. 09/30/2020