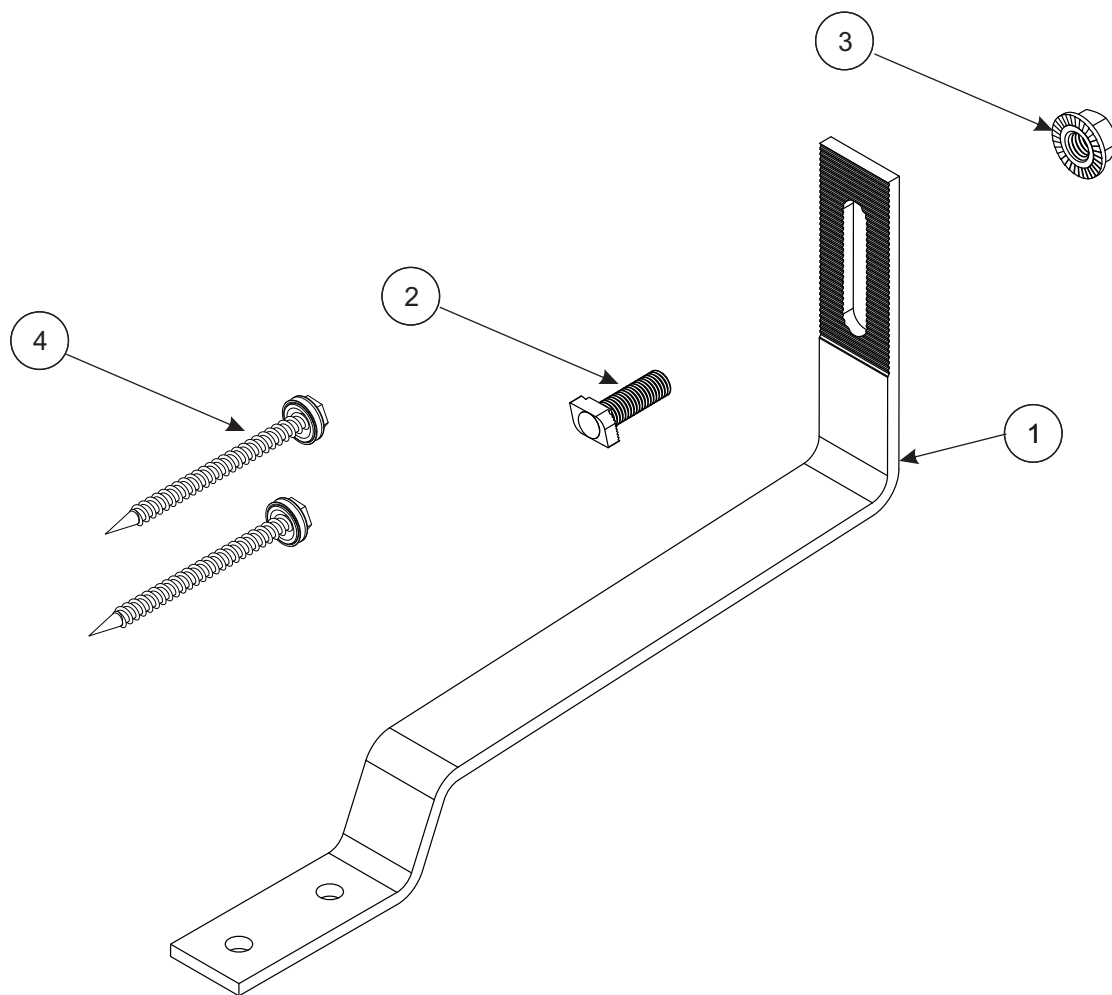



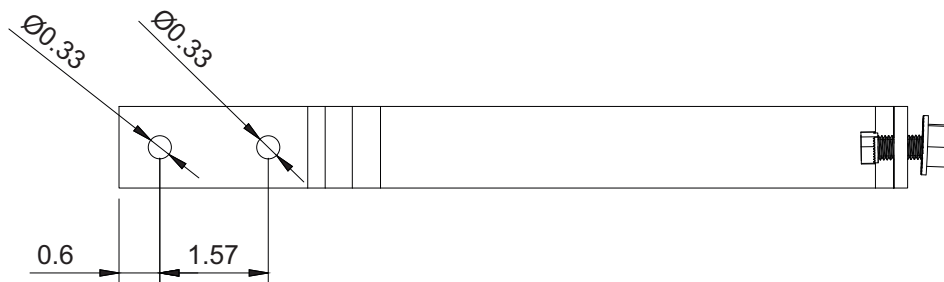
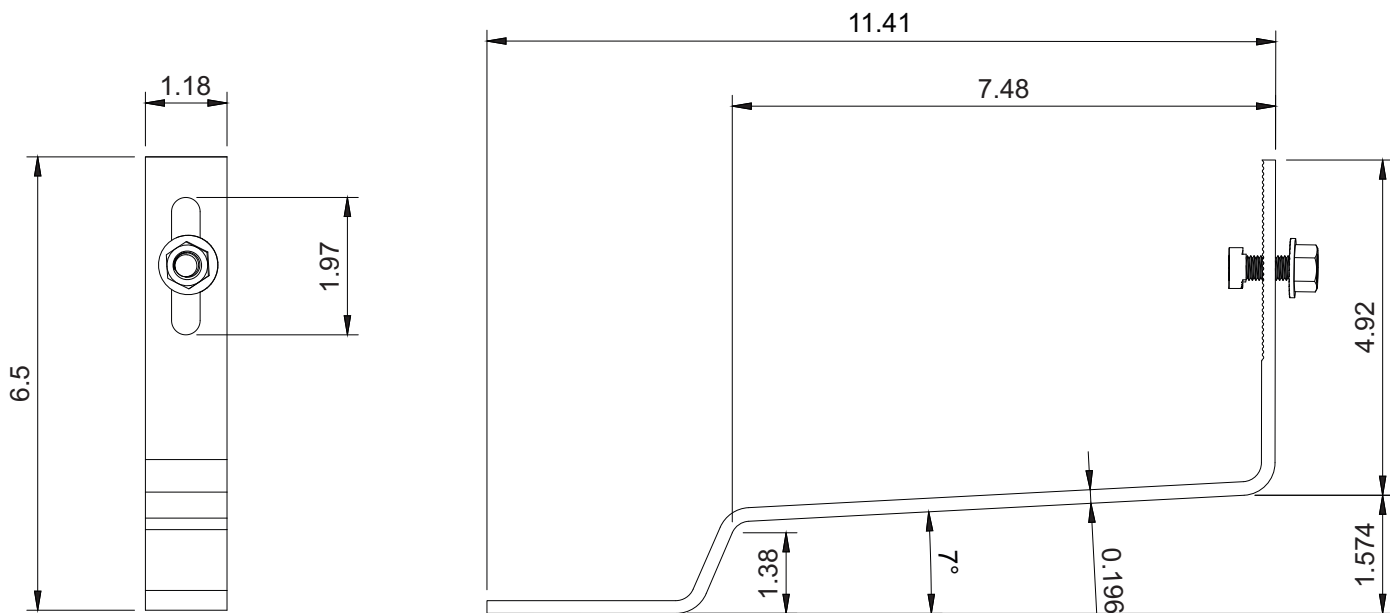
DESCRIPTION: SOLARACK FLAT TILE HOOK	DRAWN BY: A. Moti	<b>SOLARACK</b>
PART NUMBER: IGB-SR-FTH	REVISION: <b>A</b>	1103 Lawrence Dr Unit A Newbury Park, CA 91320 Phone: 1.844.686.7225 Email: info@solarackusa.com Website: www.solarackusa.com THE INFORMATION IN THIS DRAWING IS CONFIDENTIAL AND PROPRIETARY. DESIGNS OWNED BY SOLARACK INC.



PART LIST		
ITEM	QTY	DESCRIPTION
1	1	SOLARACK, SUS304 FLAT TILE HOOK
2	1	M10 SUS304 FLUNG NUT
3	1	SOLARACK, M10 SUS304 T-BOLT
4	2	5/16" X 3" STAINLESS STEEL WOOD LAG SCREW

MATERIALS:	6000 SERIES ALUMINUM, STAINLESS STEEL	OPTIONS:
DESIGN LOAD (LBS):	N/A	N/A
ULTIMATE LOAD (LBS):	N/A	
TORQUE SPECIFICATION:	N/A FT -LB	
CERTIFICATION:	CONFORMS TO UL STD 2703,	
WEIGHT (LBS):		

DESCRIPTION: SOLARACK FLAT TILE HOOK	DRAWN BY: A. Moti	
PART NUMBER: IGB-SR-FTH	REVISION: <b>A</b>	1103 Lawrence Dr Unit A Newbury Park, CA 91320 Phone: 1.844.686.7225 Email: info@solarackusa.com Website: www.solarackusa.com THE INFORMATION IN THIS DRAWING IS CONFIDENTIAL AND PROPRIETARY. DESIGNS OWNED BY SOLARACK INC.



ALL DIMENSIONS IN INCHES, ONLY FRAME SIZE IS IN MM