

DESCRIPTION:
SOLARACK STONE COATED METAL ATTACHMENT

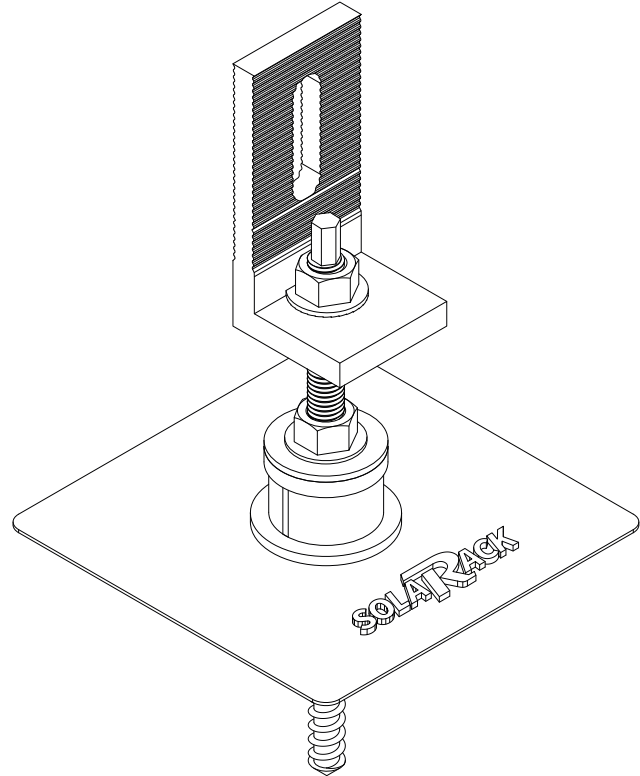
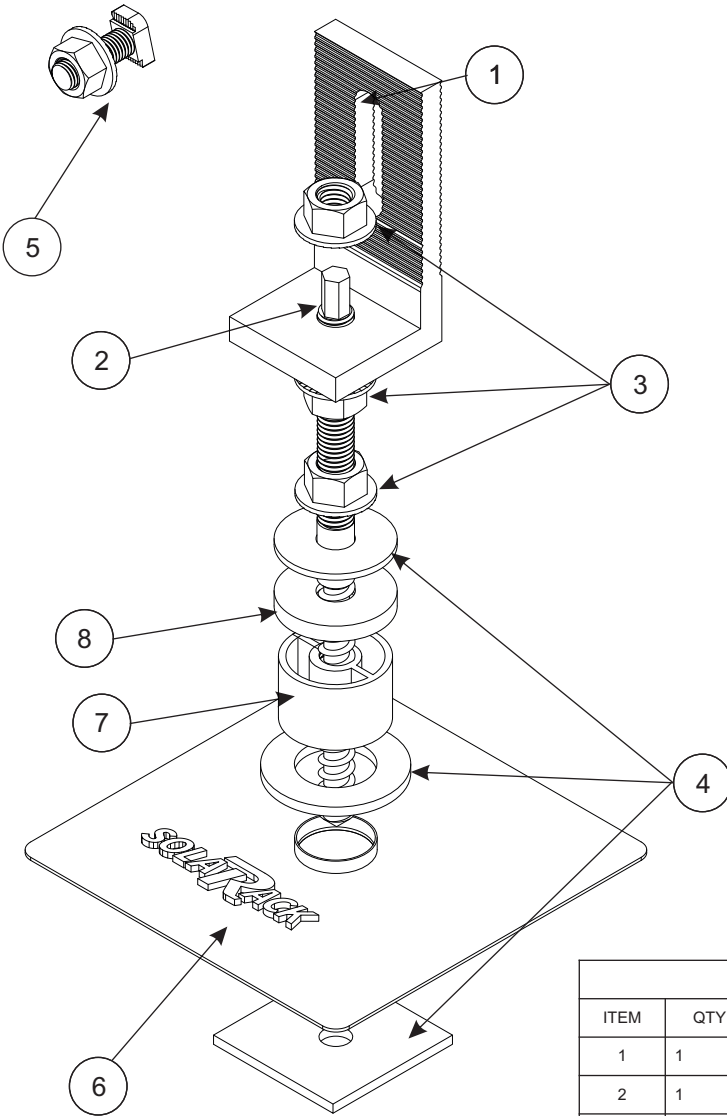
DRAWN BY:
A. Moti



PART NUMBER:
IGB-SR-SCM


REVISION:
A

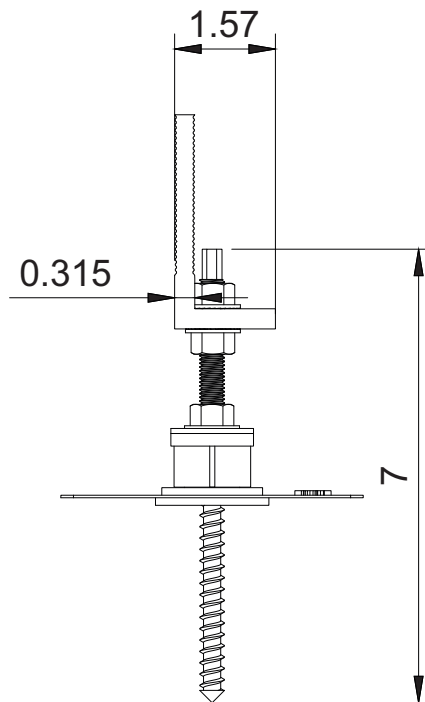
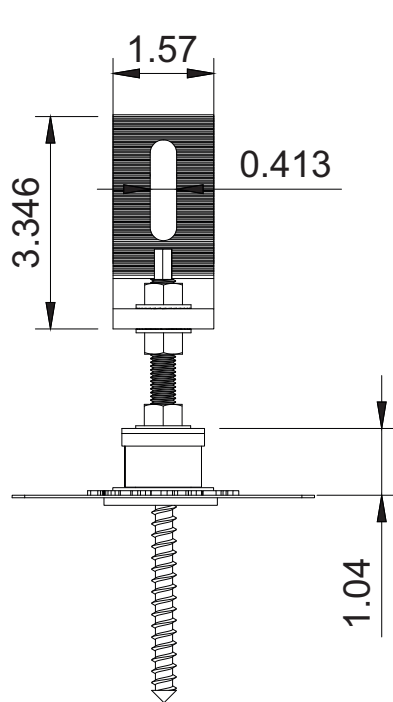
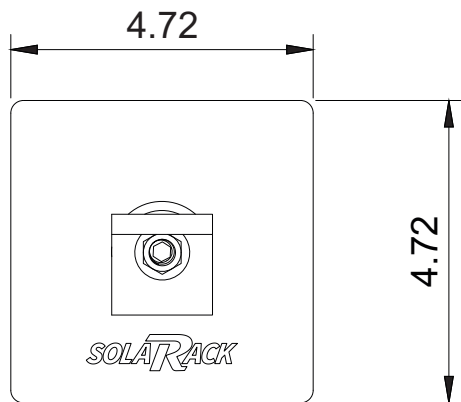
1103 Lawrence Dr Unit A Newbury Park, CA 91320
Phone: 1.844.686.7225
Email: info@solarackusa.com
Website: www.solarackusa.com
THE INFORMATION IN THIS DRAWING IS CONFIDENTIAL AND PROPRIETARY. DESIGNS OWNED BY SOLARACK INC.



PART LIST		
ITEM	QTY	DESCRIPTION
1	1	SOLARACK, ALUMINUM L-FOOT
2	1	7" LAG SCREW WITH TOP HALF MACHINE THREAD
3	3	M10 STAINLESS STEEL FLUNG NUT
4	3	SOLARACK, UV RATED SILICON WASHER
5	1	M10 STAINLESS STEEL T BOLT AND FLUNG NUT
6	1	SOLARACK, ALUMINUM FLASHING
7	1	SOLARACK, ALUMINUM STANCHION
8	1	SOLARACK, ALUMINUM CAP

MATERIALS:	6000 SERIES ALUMINUM, STAINLESS STEEL	OPTIONS:
DESIGN LOAD (LBS):	N/A	CLEAR ANODIZED
ULTIMATE LOAD (LBS):	N/A	
TORQUE SPECIFICATION:	N/A FT -LB	
CERTIFICATION:	CONFORMS TO UL STD 2703, FILE 5011267	
WEIGHT (LBS):		

DESCRIPTION: SOLARACK STONE COATED METAL TILE ATTACHMENT	DRAWN BY: A. Moti	
PART NUMBER: IGB-SR-SCM	REVISION: A	1103 Lawrence Dr Unit A Newbury Park, CA 91320 Phone: 1.844.686.7225 Email: info@solarackusa.com Website: www.solarackusa.com THE INFORMATION IN THIS DRAWING IS CONFIDENTIAL AND PROPRIETARY. DESIGNS OWNED BY SOLARACK INC.



ALL DIMENSIONS IN INCHES, ONLY FRAME SIZE IS IN MM