
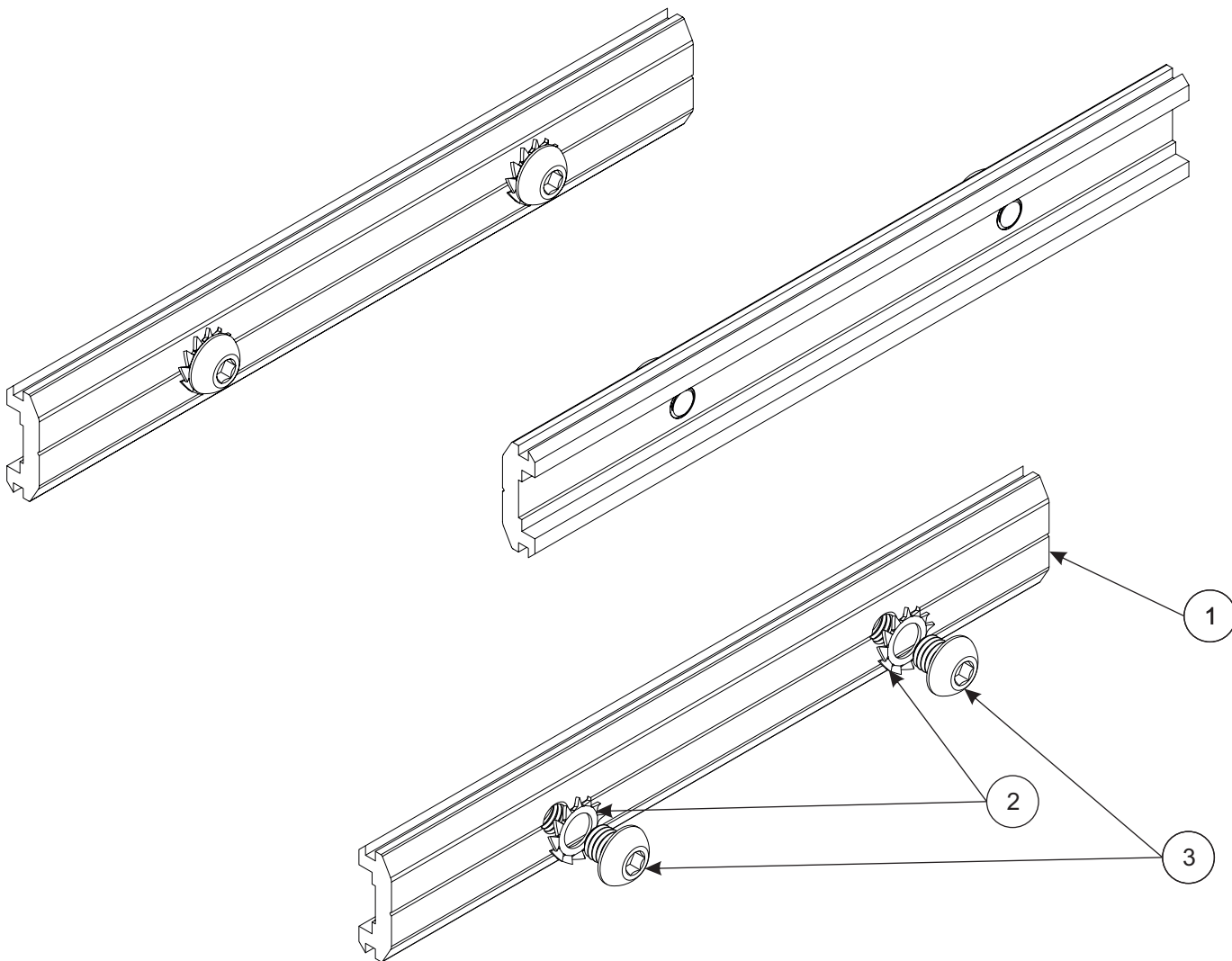



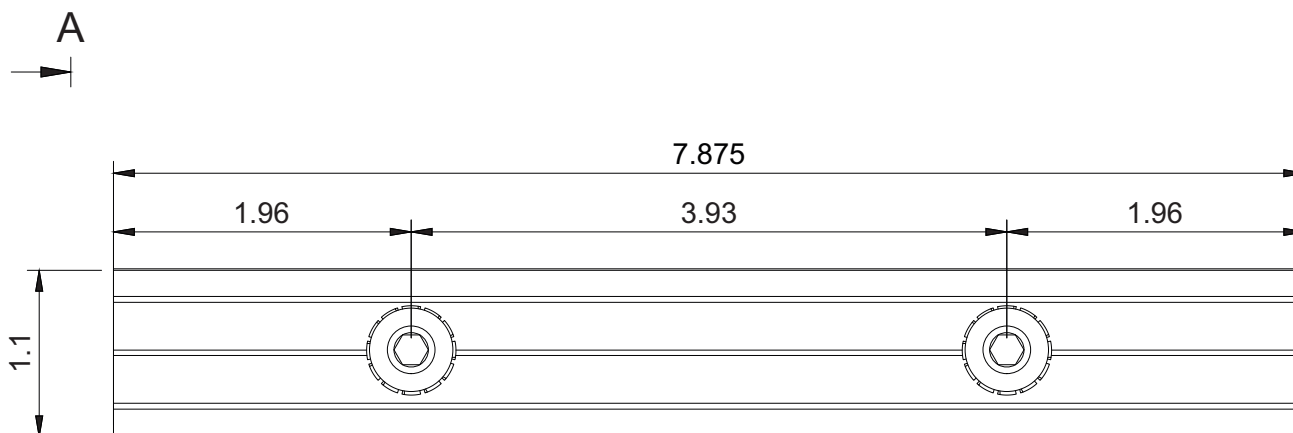
DESCRIPTION: SOLARACK INTEGRATED GROUNDING SPLICE KIT	DRAWN BY: A. Moti	
PART NUMBER: IGB-SR-SK	REVISION: A	1103 Lawrence Dr Unit A Newbury Park, CA 91320 Phone: 1.844.686.7225 Email: info@solarackusa.com Website: www.solarackusa.com THE INFORMATION IN THIS DRAWING IS CONFIDENTIAL AND PROPRIETARY. DESIGNS OWNED BY SOLARACK INC.



PART LIST		
ITEM	QTY	DESCRIPTION
1	1	SOLARACK, ALUMINUM BONDING SPLICE
2	2	M8 STAINLESS STEEL STAR WASHER
3	2	M8 X 6.7MM BUTTON HEAD HEX DRIVE BOLT

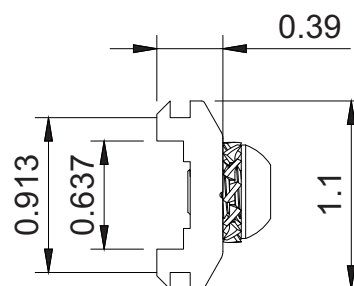
MATERIALS:	6000 SERIES ALUMINUM, STAINLESS STEEL	OPTIONS:
DESIGN LOAD (LBS):	N/A	CLEAR ANODIZED
ULTIMATE LOAD (LBS):	N/A	BLACK ANODIZED / ELECTROPHORESIS
TORQUE SPECIFICATION:	10 FT -LB	
CERTIFICATION:	CONFORMS TO UL STD 2703, FILE 5011267	
WEIGHT (LBS):		

DESCRIPTION: SOLARACK INTEGRATED GROUNDING SPLICE KIT	DRAWN BY: A. Moti	
PART NUMBER: IGB-SR-SK	REVISION: A	1103 Lawrence Dr Unit A Newbury Park, CA 91320 Phone: 1.844.686.7225 Email: info@solarackusa.com Website: www.solarackusa.com THE INFORMATION IN THIS DRAWING IS CONFIDENTIAL AND PROPRIETARY. DESIGNS OWNED BY SOLARACK INC.



A

A-A (1:1)



SPLICE KIT PROPERTIES		
SKU	RAIL FAMILY	FINISH
IGB-SR-SK	MCR2.0	Clear Anodized
IGB-SR-SKB	MCR2.0	Black Electrophoresis