
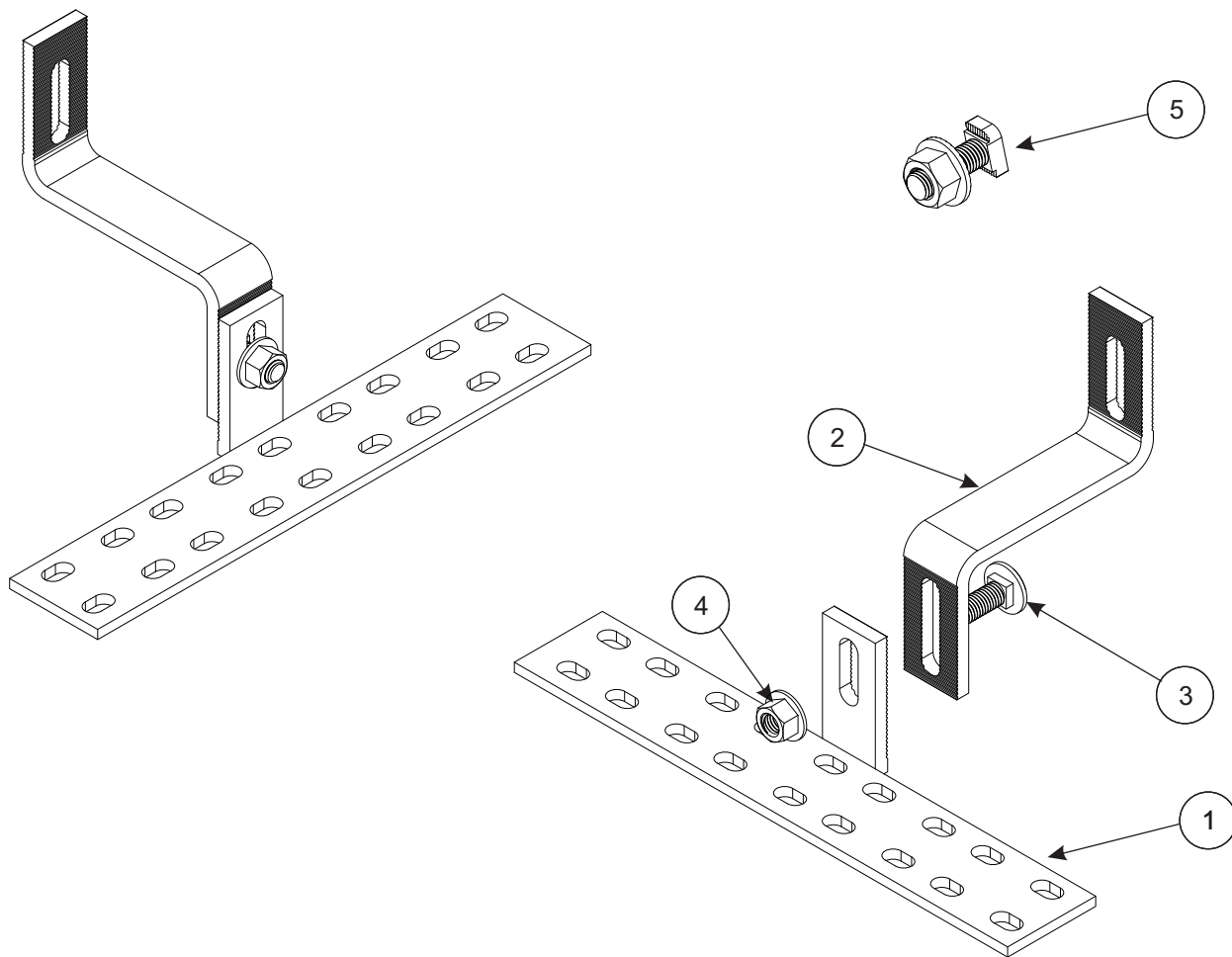


DESCRIPTION: SOLARACK ADJUSTABLE -TILE HOOK	DRAWN BY: A. Moti	
PART NUMBER: IGB-SR-ADJS	REVISION: A	1103 Lawrence Dr Unit A Newbury Park, CA 91320 Phone: 1.844.686.7225 Email: info@solarackusa.com Website: www.solarackusa.com THE INFORMATION IN THIS DRAWING IS CONFIDENTIAL AND PROPRIETARY. DESIGNS OWNED BY SOLARACK INC.



PART LIST		
ITEM	QTY	DESCRIPTION
1	1	SOLARACK, 11" X 2" STAINLESS STEEL BASE
2	1	SOLARACK, STAINLESS STEEL UPPER ARM
3	1	STAINLESS STEEL M10 CARRIAGE BOLT
4	1	STAINLESS STEEL M10 NUT
5	1	SOLARACK, STAINLESS STEEL M8 T BOLT & NUT

MATERIALS:	300 SERIES STAINLESS STEEL	OPTIONS:
DESIGN LOAD (PSF):	N/A	
ULTIMATE LOAD (LBS):	N/A	
TORQUE SPECIFICATION:	18.5 FT -LB (T-BOLT)	
CERTIFICATION:	CONFORMS TO UL STD 2703, FILE 5011267	
WEIGHT (LBS):		

DESCRIPTION:
SOLARACK ADJUSTABLE S-TILE HOOK

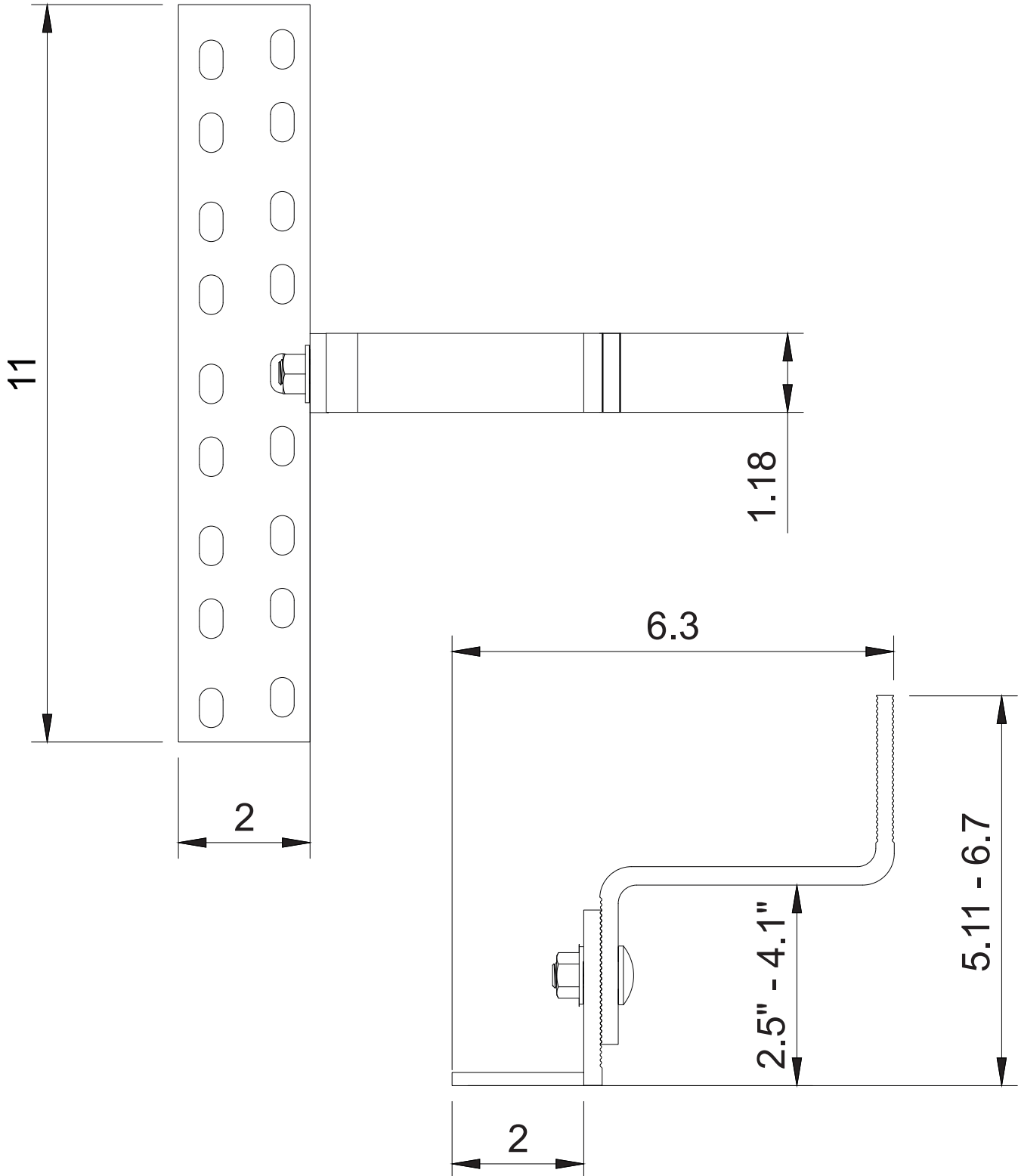
DRAWN BY:
A. Moti



PART NUMBER:
IGB-SR-ADJS

REVISION:
A

1103 Lawrence Dr Unit A Newbury Park, CA 91320
Phone: 1.844.686.7225
Email: info@solarackusa.com
Website: www.solarackusa.com
THE INFORMATION IN THIS DRAWING IS CONFIDENTIAL AND
PROPRIETARY. DESIGNS OWNED BY SOLARACK INC.



ALL DIMENSIONS IN INCHES, ONLY FRAME SIZE IS IN MM