

DESCRIPTION:
SOLARACK INTEGRATED GROUNDING 28MM - 46MM
UNIVERSAL MID CALMP

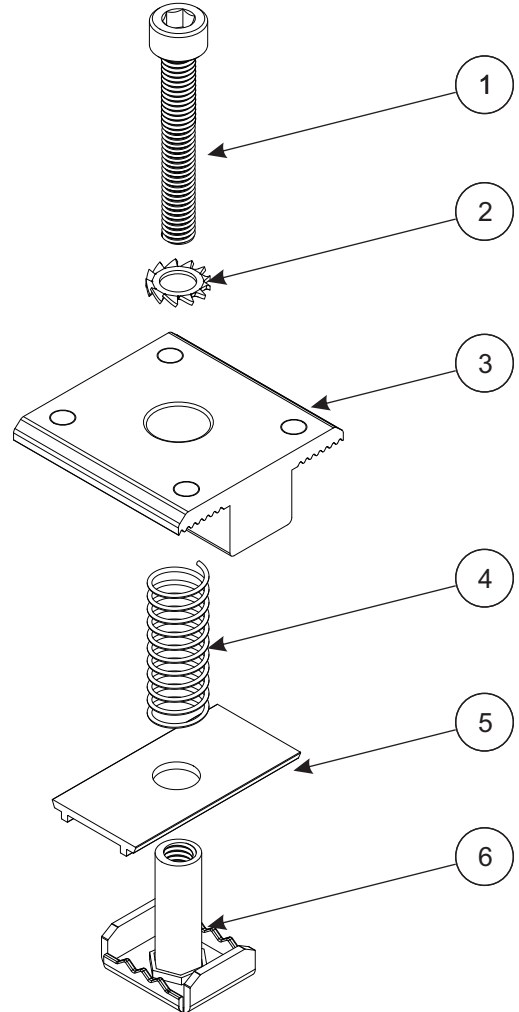
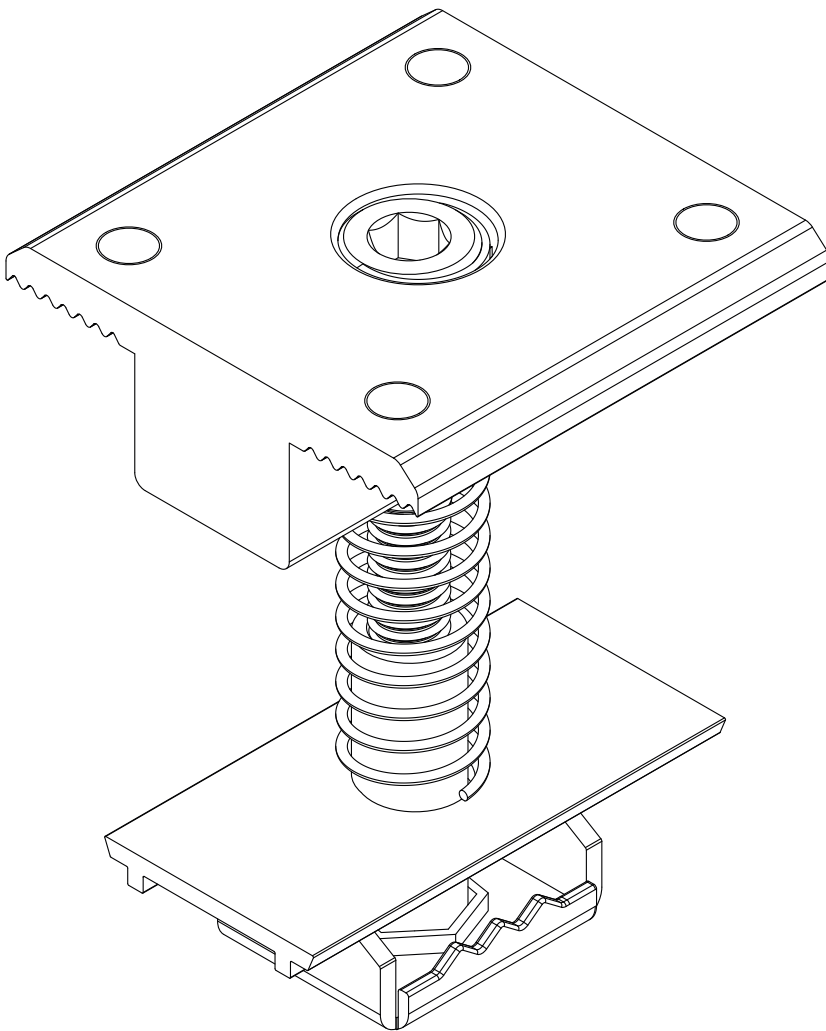
DRAWN BY:
A. Moti



PART NUMBER:
IGB-SR-UNIM2846

REVISION:
A

1103 Lawrence Dr Unit A Newbury Park, CA 91320
Phone: 1.844.686.7225
Email: info@solarackusa.com
Website: www.solarackusa.com
THE INFORMATION IN THIS DRAWING IS CONFIDENTIAL AND
PROPRIETARY. DESIGNS OWNED BY SOLARACK INC.



PART LIST		
ITEM	QTY	DESCRIPTION
1	1	M6 X 40MM SS BOLT
2	1	M6 STAR WASHER
3	1	SOLARACK, ANODIZED ALUMINUM BONDING MID CLAMP
4	1	SOLARACK, SUS MID CLAMP SUPPORTING SPRING
5	1	SOLARACK, PVC SPRING SUPPORT PLATE
6	1	SOLARACK, BONDING CHANNEL NUT

MATERIALS:	6000 SERIES ALUMINUM, STAINLESS STEEL	OPTIONS:
DESIGN LOAD (LBS):	N/A	CLEAR ANODIZED
ULTIMATE LOAD (LBS):	N/A	BLACK ANODIZED / ELECTROPHORESIS
TORQUE SPECIFICATION:	16 FT -LB	
CERTIFICATION:	CONFORMS TO UL STD 2703, FILE 5011267	
WEIGHT (LBS):		

DESCRIPTION:
SOLARACK INTEGRATED GROUNDING 28MM - 46MM
UNIVERSAL MID CALMP

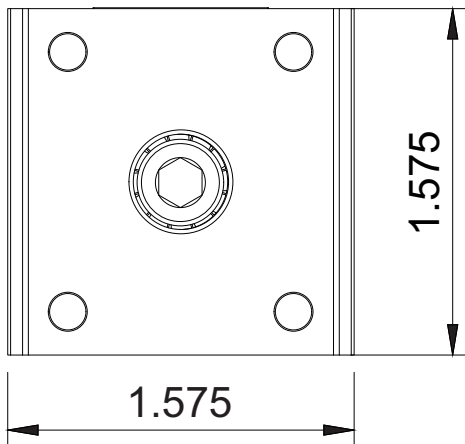
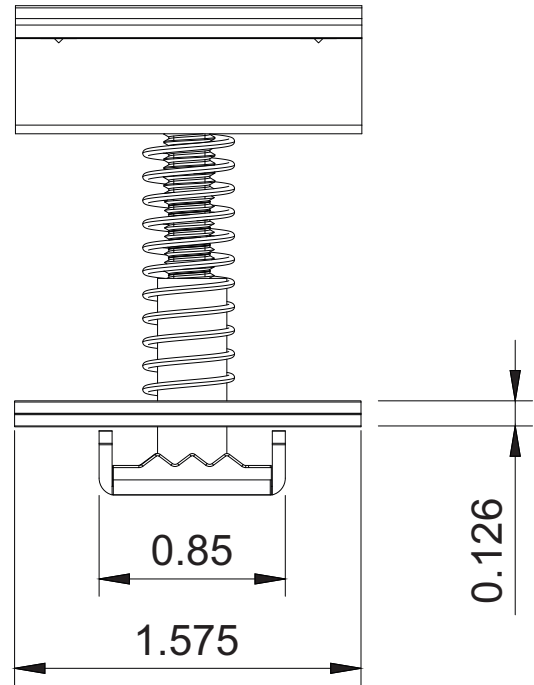
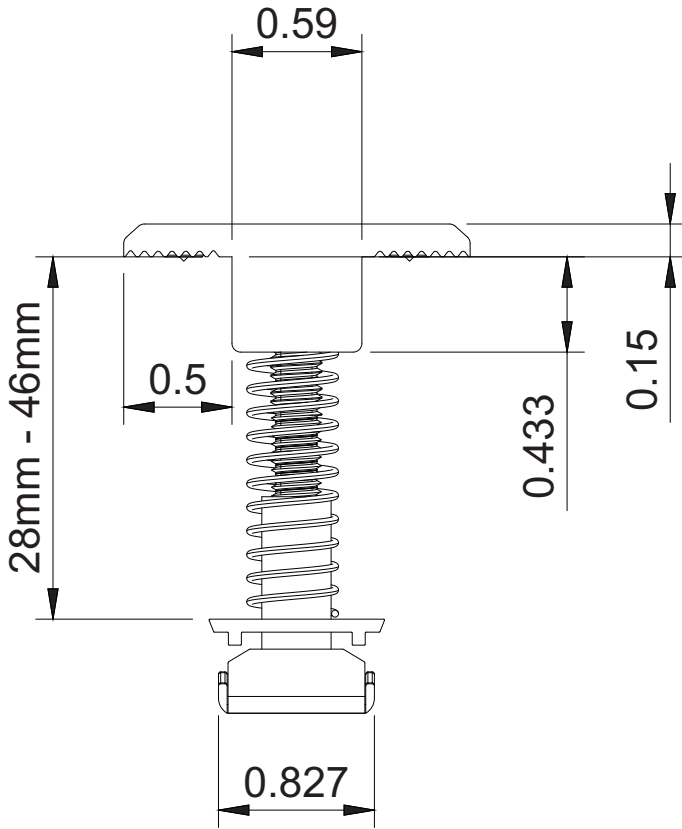
DRAWN BY:
A. Moti



PART NUMBER:
IGB-SR-UNIM2846

REVISION:
A

1103 Lawrence Dr Unit A Newbury Park, CA 91320
Phone: 1.844.686.7225
Email: info@solarackusa.com
Website: www.solarackusa.com
THE INFORMATION IN THIS DRAWING IS CONFIDENTIAL AND
PROPRIETARY. DESIGNS OWNED BY SOLARACK INC.



MID CLAMP PROPERTIES		
SKU	FRAME SIZE	FINISH
IGB-SR-UNIM2846S	28mm - 46mm	Clear Anodized
IGB-SR-UNIM2846B	28mm - 46mm	Black Electrophoresis

ALL DIMENSIONS IN INCHES, ONLY FRAME SIZE IS IN MM