
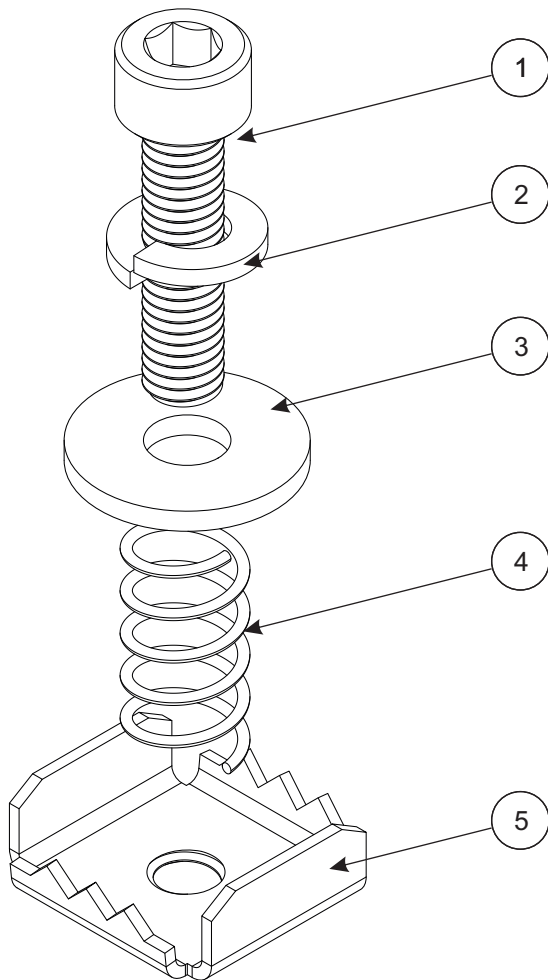
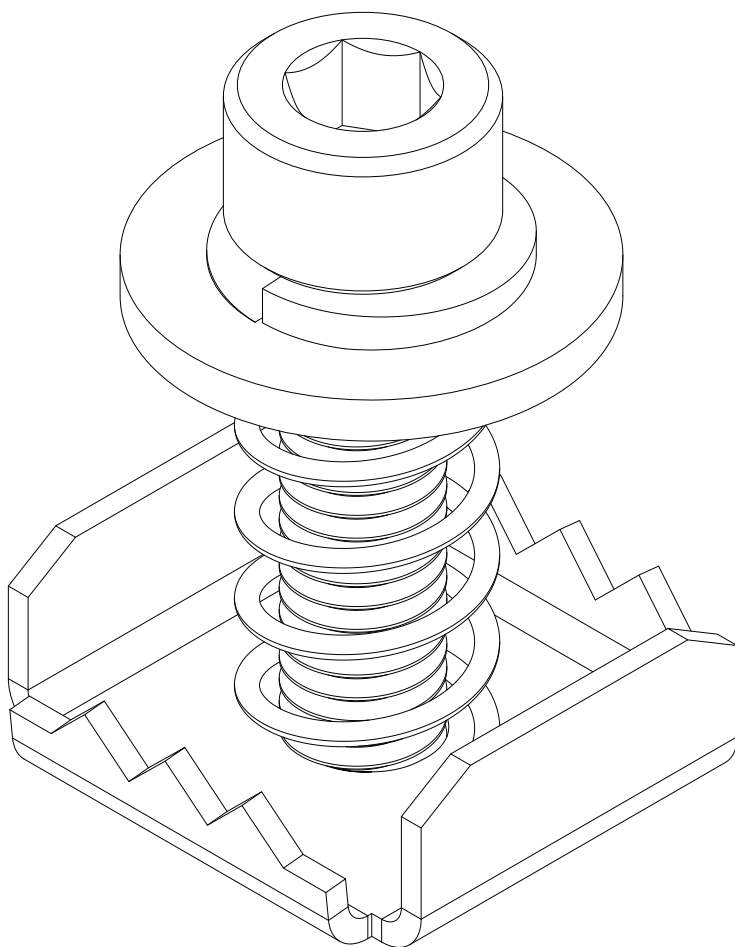


DESCRIPTION: SOLARACK INTEGRATED GROUNDING MICRO ATTACHMENT	DRAWN BY: A. Moti	
PART NUMBER: IGB-SR-MICRO	REVISION: A	1103 Lawrence Dr Unit A Newbury Park, CA 91320 Phone: 1.844.686.7225 Email: info@solarackusa.com Website: www.solarackusa.com <small>THE INFORMATION IN THIS DRAWING IS CONFIDENTIAL AND PROPRIETARY. DESIGNS OWNED BY SOLARACK INC.</small>



PART LIST		
ITEM	QTY	DESCRIPTION
1	1	M6 X 25MM SUS BOLT
2	1	M6 STAINLESS STEEL LOCK WASHER M6
3	1	SOLARACK, ROUND WASHER M6 X 18MM
4	1	SOLARACK, STAINLESS STEEL SPRING
5	1	SOLARACK, BONDING CHANNEL NUT

MATERIALS:	6000 SERIES ALUMINUM, STAINLESS STEEL	OPTIONS:
DESIGN LOAD (LBS):	N/A	
ULTIMATE LOAD (LBS):	N/A	
TORQUE SPECIFICATION:	20 FT -LB	
CERTIFICATION:	CONFORMS TO UL STD 2703, FILE 5011267	
WEIGHT (LBS):		