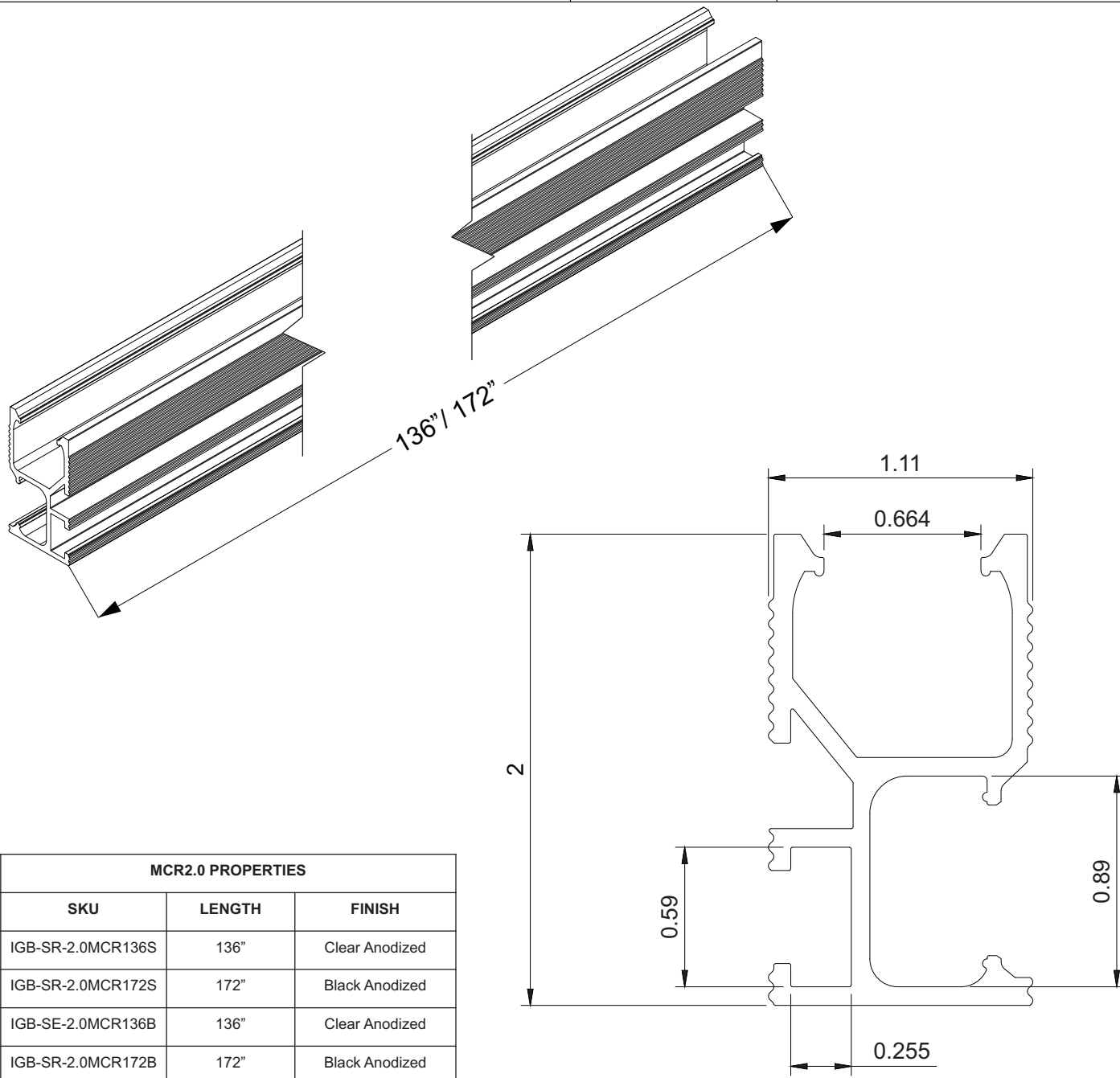


DESCRIPTION: SOLARACK MCR2.0 RAIL	DRAWN BY: A. Moti	<b>SOLARACK</b>
PART NUMBER: IGB-SR-2.0MCR	REVISION: <b>A</b>	1103 Lawrence Dr Unit A Newbury Park, CA 91320 Phone: 1.844.686.7225 Email: info@solarackusa.com Website: www.solarackusa.com THE INFORMATION IN THIS DRAWING IS CONFIDENTIAL AND PROPRIETARY. DESIGNS OWNED BY SOLARACK INC.



MCR2.0 PROPERTIES		
SKU	LENGTH	FINISH
IGB-SR-2.0MCR136S	136"	Clear Anodized
IGB-SR-2.0MCR172S	172"	Black Anodized
IGB-SE-2.0MCR136B	136"	Clear Anodized
IGB-SR-2.0MCR172B	172"	Black Anodized

MATERIALS:	6000 SERIES ALUMINUM, STAINLESS STEEL	OPTIONS:
DESIGN LOAD (LBS):	N/A	CLEAR ANODIZED
ULTIMATE LOAD (LBS):	N/A	BLACK ANODIZED
TORQUE SPECIFICATION:	N/A FT -LB	BUNDLES OF 100
CERTIFICATION:	CONFORMS TO UL STD 2703, FILE 5011267	
WEIGHT (LBS):		