
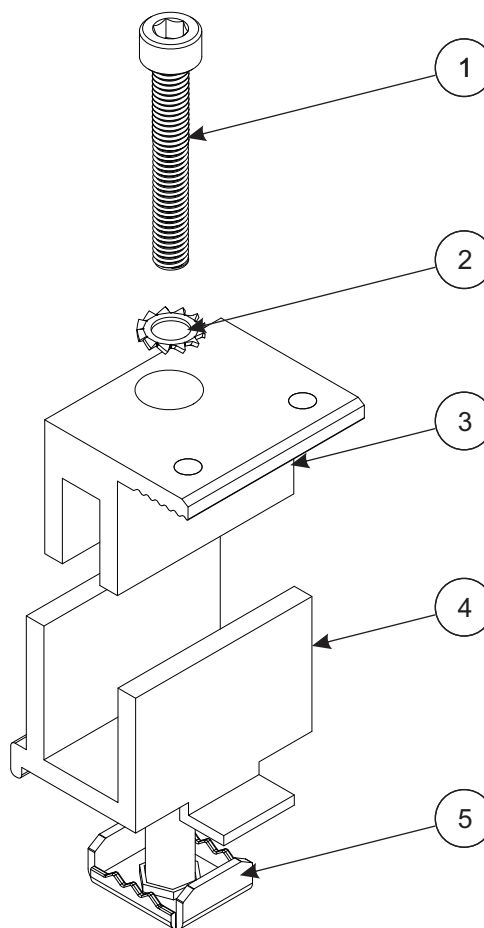
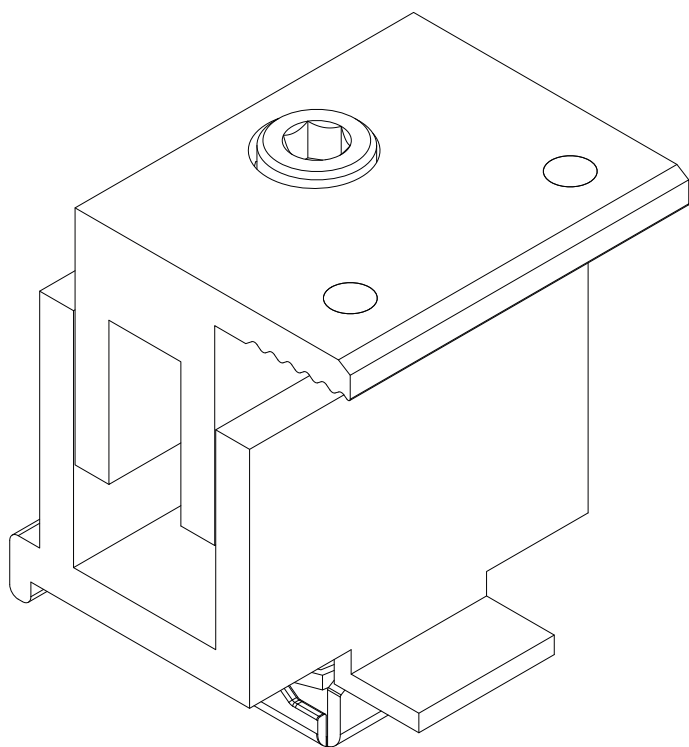


DESCRIPTION: SOLARACK INTEGRATED GROUNDING UNIVERSAL END CLAMP	DRAWN BY: A. Moti	
PART NUMBER: IGB-SR-EUNI2846	REVISION: A	1103 Lawrence Dr Unit A Newbury Park, CA 91320 Phone: 1.844.686.7225 Email: info@solarackusa.com Website: www.solarackusa.com THE INFORMATION IN THIS DRAWING IS CONFIDENTIAL AND PROPRIETARY. DESIGNS OWNED BY SOLARACK INC.



PART LIST		
ITEM	QTY	DESCRIPTION
1	1	M6 X 40MM SUS BOLT
2	1	M6 STAINLESS STEEL STAR WASHER
3	1	SOLARACK, BONDING ALUMINUM END CLAMP TOP PORTION
4	1	SOLARACK, ALUMINUM END CLAMP BOTTOM PORTION
5	1	SOLARACK, BONDING CHANNEL NUT

MATERIALS:	6000 SERIES ALUMINUM, STAINLESS STEEL	OPTIONS:
DESIGN LOAD (LBS):	N/A	CLEAR ANODIZED
ULTIMATE LOAD (LBS):	N/A	BLACK ANODIZED / ELECTROPHORESIS
TORQUE SPECIFICATION:	14 FT -LB	
CERTIFICATION:	CONFORMS TO UL STD 2703, FILE 5011267	
WEIGHT (LBS):		

DESCRIPTION:
 SOLARACK INTEGRATED GROUNDING UNIVERSAL END CLAMP

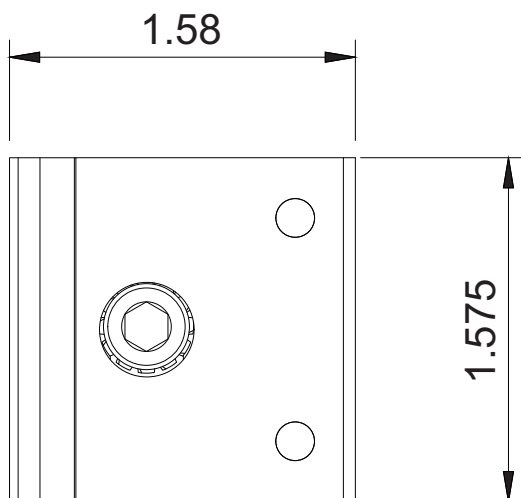
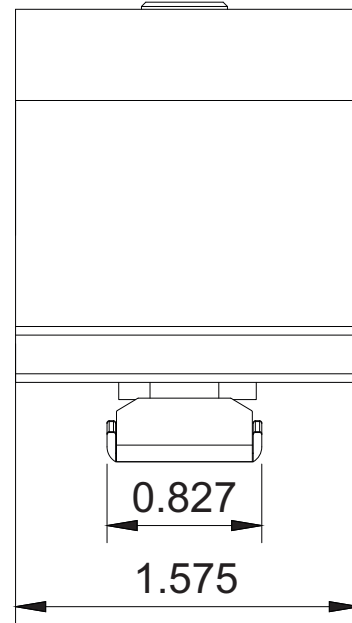
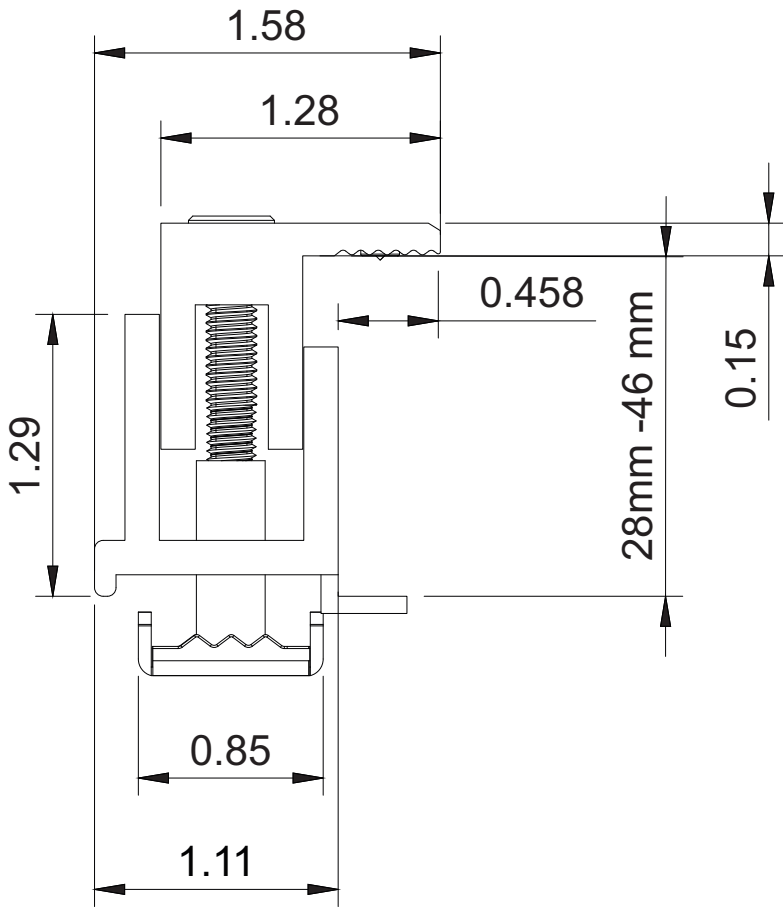
DRAWN BY:
 A. Moti



PART NUMBER:
 IGB-SR-EUNI2846

REVISION:
A

1103 Lawrence Dr Unit A Newbury Park, CA 91320
 Phone: 1.844.686.7225
 Email: info@solarackusa.com
 Website: www.solarackusa.com
 THE INFORMATION IN THIS DRAWING IS CONFIDENTIAL AND PROPRIETARY. DESIGNS OWNED BY SOLARACK INC.



END CLAMP PROPERTIES		
SKU	FRAME SIZE	FINISH
IGB-SR-EUNI2846S	28mm - 46mm	Clear Anodized
IGB-SR-EUNI2846B	28mm - 46mm	Black Electrophoresis

ALL DIMENSIONS IN INCHES, ONLY FRAME SIZE IS IN MM