
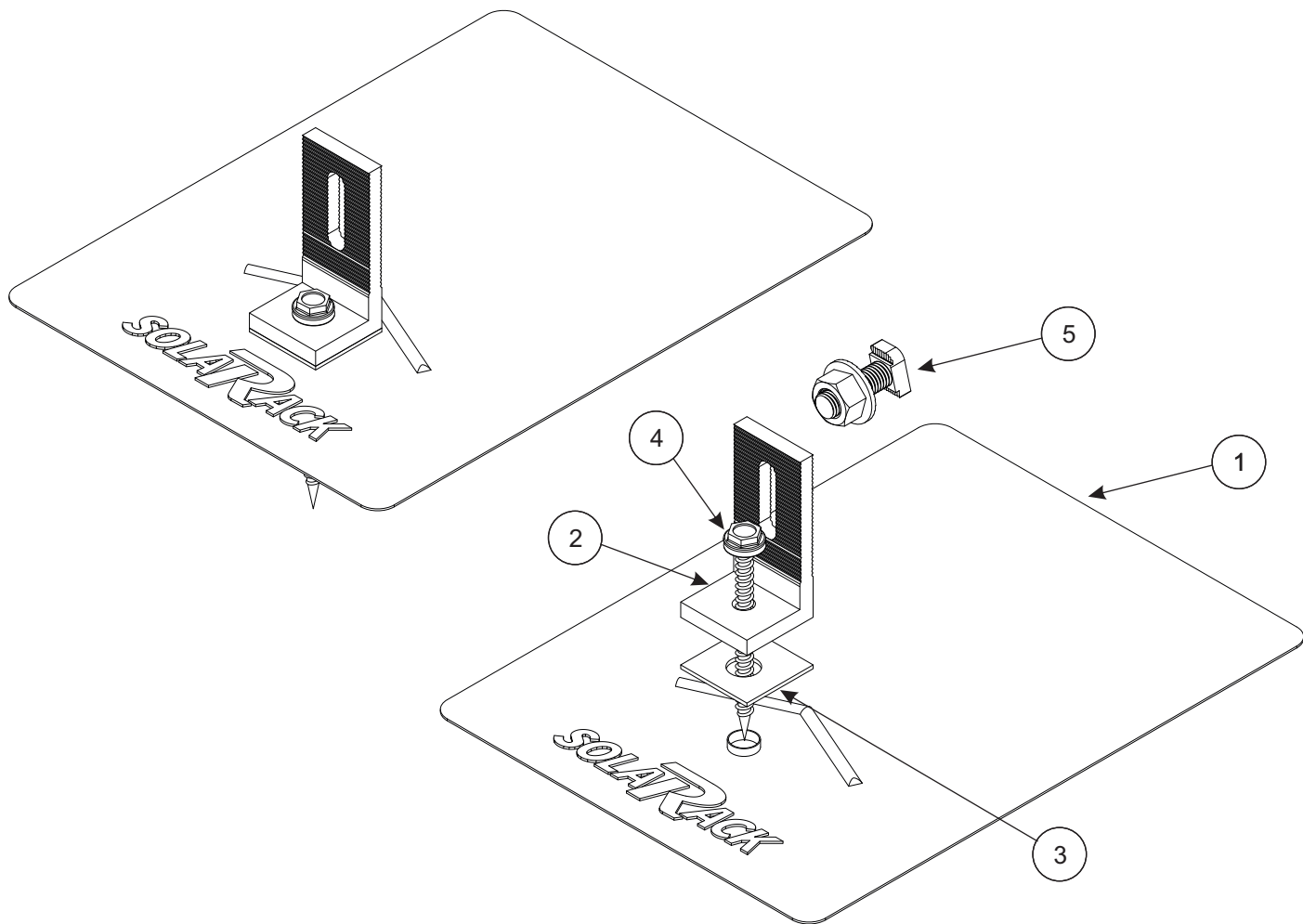



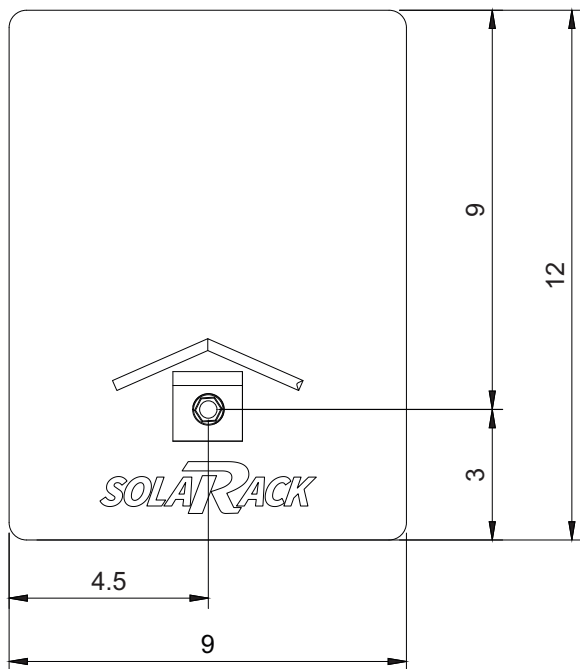
| | | |
|--|-----------------------|---|
| DESCRIPTION: SOLARACK COMPOSITION L -FOOT KIT | DRAWN BY: A. Moti |  |
| PART NUMBER: IGB-SR-COMP | REVISION: A | 1103 Lawrence Dr Unit A Newbury Park, CA 91320 Phone: 1.844.686.7225 Email: info@solarackusa.com Website: www.solarackusa.com THE INFORMATION IN THIS DRAWING IS CONFIDENTIAL AND PROPRIETARY. DESIGNS OWNED BY SOLARACK INC. |



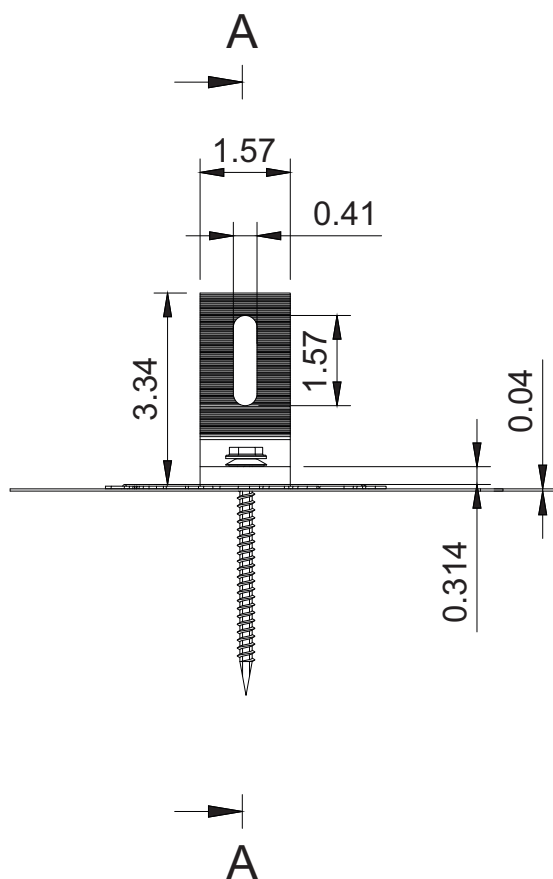
| PART LIST | | |
|-----------|-----|--|
| ITEM | QTY | DESCRIPTION |
| 1 | 1 | 9" X 12" 1000 SERIES ALUMINUM FLASHING |
| 2 | 1 | SOLARACK, ALUMINUM L FOOT |
| 3 | 1 | SOLARACK, UV RATED SILICON WASHER |
| 4 | 1 | SOLARACK, STAINLESS STEEL 5/16" X 3" LAG SCREW |
| 5 | 1 | SOLARACK, STAINLESS STEEL M8 T BOLT & NUT |

| | | |
|-----------------------|---|----------------------------------|
| MATERIALS: | 6000/ 1000 SERIES ALUMINUM, STAINLESS STEEL | OPTIONS: |
| DESIGN LOAD (PSF): | 10 UP, 5 DOWN, 5 SIDE | CLEAR ANODIZED |
| ULTIMATE LOAD (LBS): | N/A | BLACK ANODIZED / ELECTROPHORESIS |
| TORQUE SPECIFICATION: | 18.5 FT -LB (T-BOLT) | |
| CERTIFICATION: | CONFORMS TO UL STD 2703, FILE 5011267 | |
| WEIGHT (LBS): | | |

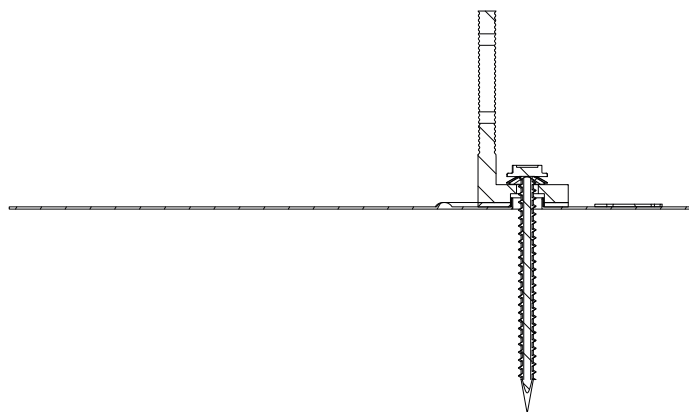
| | | |
|---|-----------------------|---|
| DESCRIPTION: SOLARACK COMPOSITION L - FOOT KIT | DRAWN BY: A. Moti |  |
| PART NUMBER: IGB-SR-COMP | REVISION: A | 1103 Lawrence Dr Unit A Newbury Park, CA 91320 Phone: 1.844.686.7225 Email: info@solarackusa.com Website: www.solarackusa.com THE INFORMATION IN THIS DRAWING IS CONFIDENTIAL AND PROPRIETARY. DESIGNS OWNED BY SOLARACK INC. |



| COMPOSITION L-FOOT PROPERTIES | | |
|-------------------------------|-----------------------|-----------------------|
| SKU | L FOOT FINISH | FLASHING FINISH |
| IGB-SR-COMP | Clear Anodized | Clear Anodized |
| IGB-SR-COMP B | Black Electrophoresis | Black Electrophoresis |



A-A (1:3)



ALL DIMENSIONS IN INCHES, ONLY FRAME SIZE IS IN MM